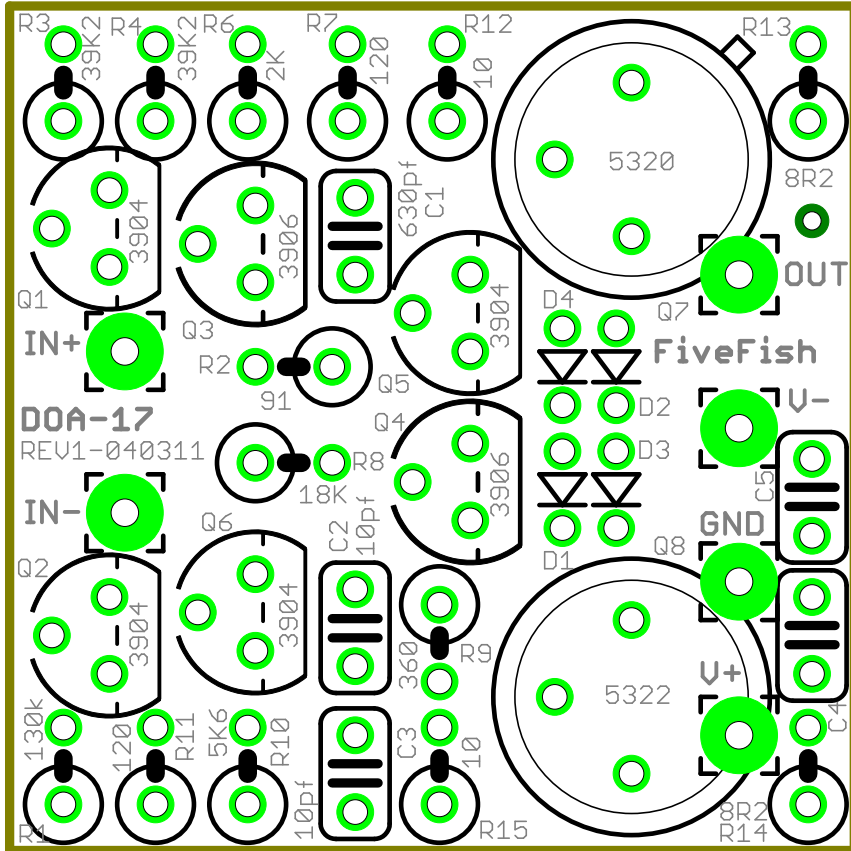


MELCOR-1731
DISCRETE OPAMP
Through-Hole version



Note:

use pin ED5052-ND
 ALL TRANSISTORS ARE 2N****
 4148=1n4148
 1/4W MF 1%
 C0G NPO CAPS
 MAX +/- 22V

Parts List

Qty	Value	Device	Parts
4		1N4148-V	D1, D2, D3, D4
6		2,54/0,9	GND, IN+, IN-, OUT, V+, V-
2	0.1u	C-US025-024X044	C4, C5
1	2K	R-US_0207/2V	R6
1	5K6	R-US_0207/2V	R10
2	8R2	R-US_0207/2V	R13, R14
2	10	R-US_0207/2V	R12, R15
2	10pf	C-US025-024X044	C2, C3
1	18K	R-US_0207/2V	R8
2	39K2	R-US_0207/2V	R3, R4
1	91	R-US_0207/2V	R2
2	120	R-US_0207/2V	R7, R11
1	130k	R-US_0207/2V	R1
1	360	R-US_0207/2V	R9
1	680pf	C-US025-024X044	C1
4	3904	2N3904	Q1, Q2, Q5, Q6
2	3906	2N3906	Q3, Q4
1	5320	2N5320	Q7
1	5322	2N5322	Q8